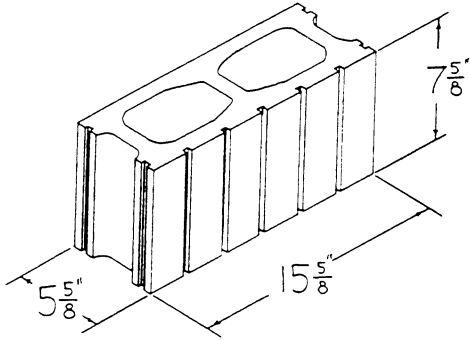
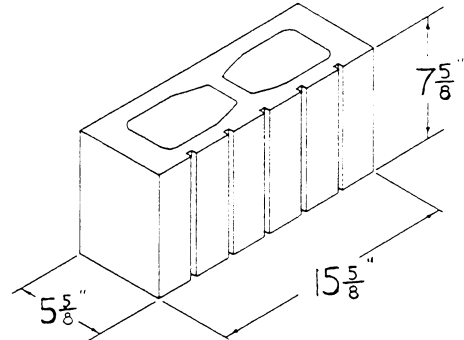


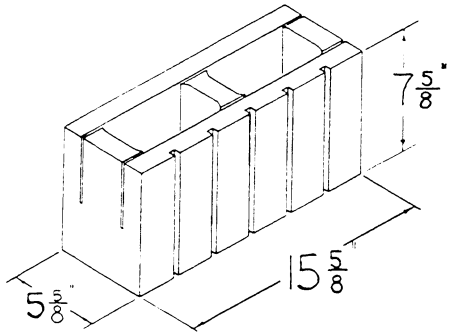
**SIX INCH WIDTH—FIVE SCORE BLOCKS**



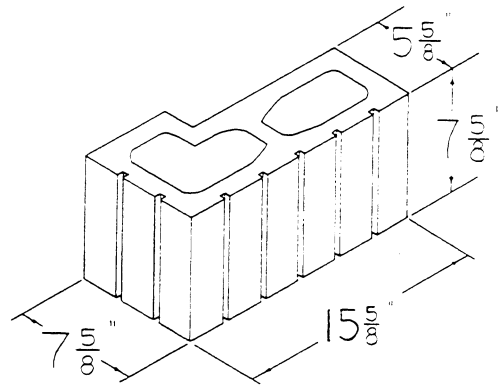
6 × 8 × 16  
**STANDARD—FIVE SCORE**



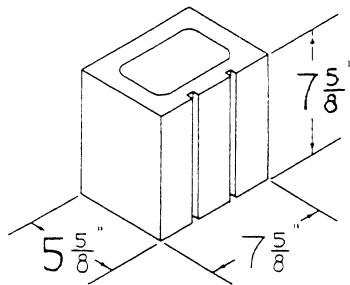
6 × 8 × 16  
**DOUBLE SOLID END—  
FIVE SCORE**



6 × 8 × 16  
**FIVE SCORE BLOCK  
KNOCK OUT LINTEL/BOND BEAM**



6 × 8 × 16  
**“L” RETURN BLOCK—  
FIVE SCORE**



6 × 8 × 8  
**FIVE SCORE—  
HALF BLOCK**