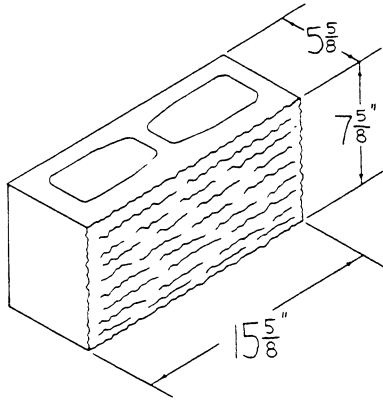
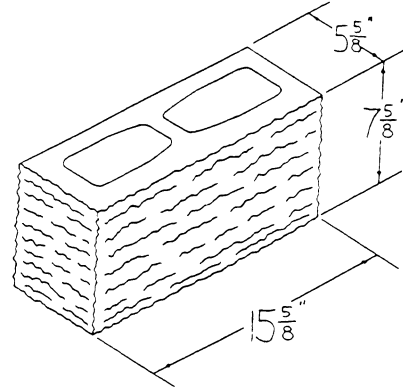


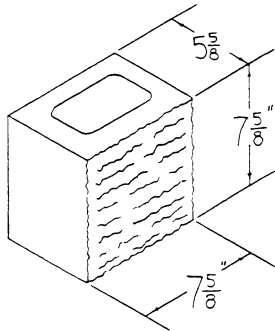
SIX INCH WIDTH—SPLIT BLOCKS



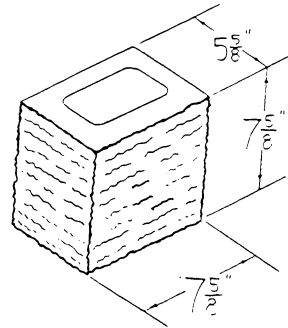
6×8×16
SPLIT BLOCK—ONE FACE



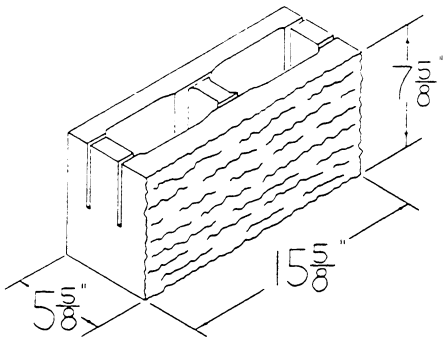
6×8×16
SPLIT BLOCK—
ONE FACE, ONE END



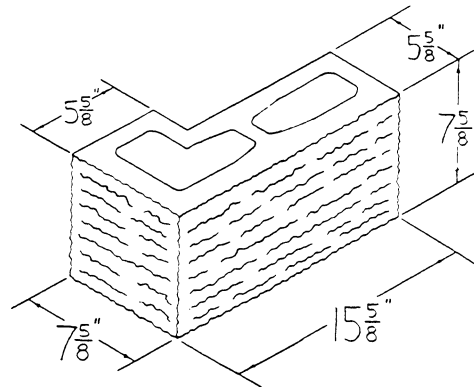
6×8×8
SPLIT BLOCK HALF—ONE FACE



6×8×8
SPLIT BLOCK HALF—
ONE FACE, ONE END



6×8×16
SPLIT BLOCK
KNOCK OUT LINTEL/BOND BEAM



6×8×16
“L” RETURN SPLIT BLOCK—
ONE FACE, ONE END