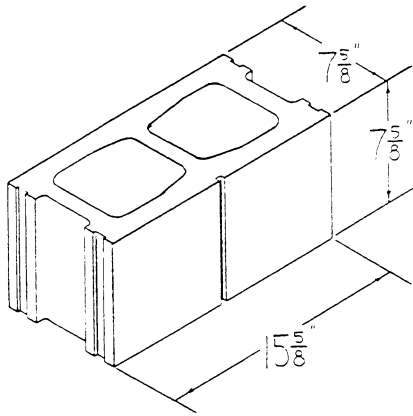
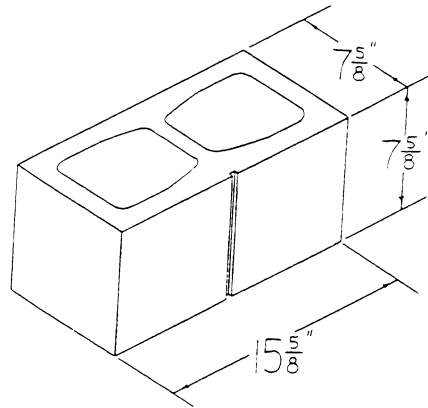


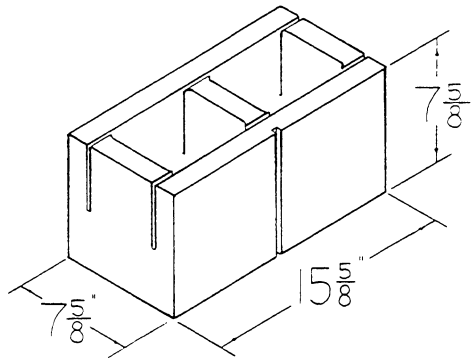
EIGHT INCH WIDTH—ONE SCORE BLOCKS



8×8×16
STANDARD—ONE SCORE
(AVAILABLE IN TWO FACE)



8×8×16
DOUBLE SOLID END—ONE SCORE
(AVAILABLE IN TWO FACE)



8×8×16
ONE SCORE
KNOCK OUT LINTEL/BOND BEAM
(AVAILABLE IN TWO FACE)