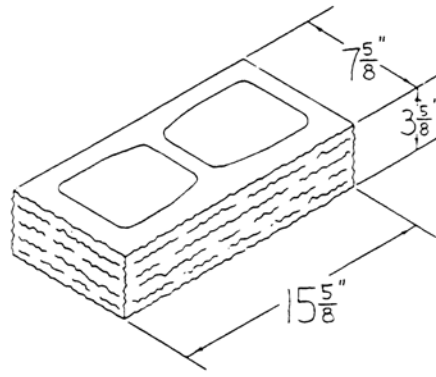
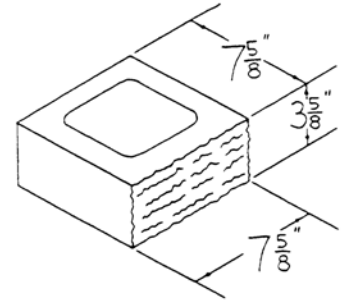


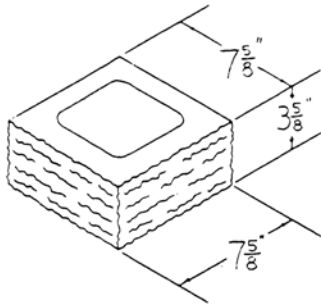
8×4×16  
**SPLIT BLOCK—ONE FACE**



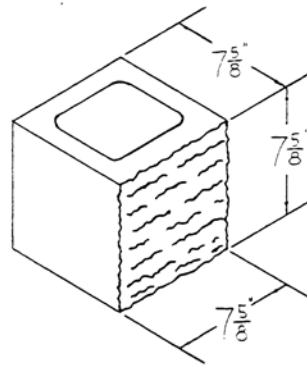
8×4×16  
**SPLIT BLOCK—  
 ONE FACE, ONE END**



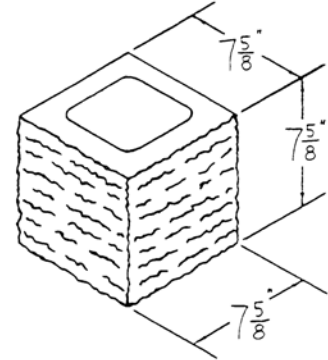
8×4×8  
**SPLIT BLOCK HALF—ONE FACE**



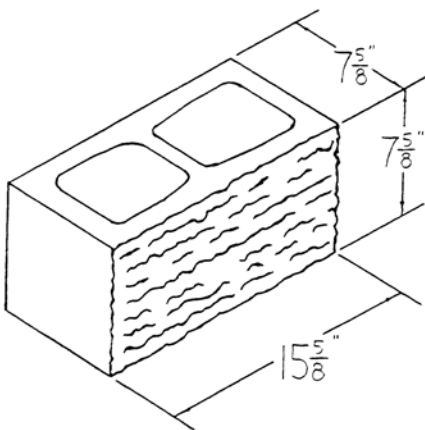
8×4×8  
**SPLIT BLOCK HALF—  
 ONE FACE, ONE END**



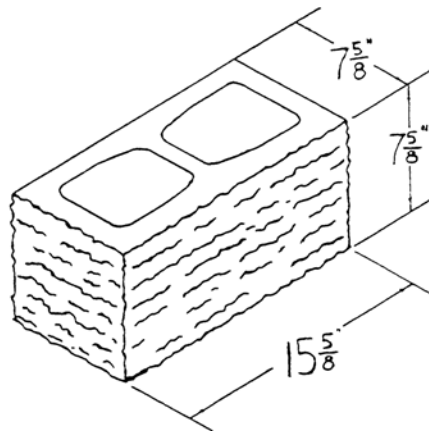
8×8×8  
**SPLIT BLOCK HALF—ONE FACE**



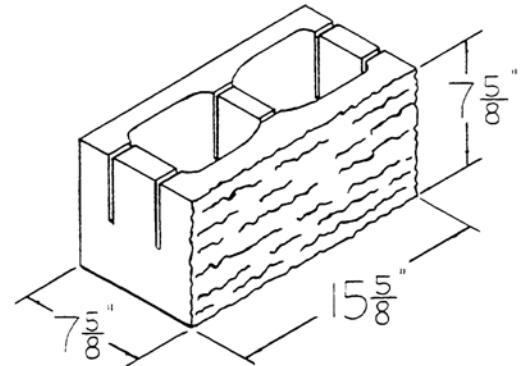
8×8×8  
**SPLIT BLOCK HALF—  
 ONE FACE, ONE END**



8×8×16  
**SPLIT BLOCK—ONE FACE**  
 (AVAILABLE IN TWO FACE)



8×8×16  
**SPLIT BLOCK—  
 ONE FACE, ONE END**  
 (AVAILABLE IN TWO FACE, ONE END &  
 TWO END, ONE FACE)



8×8×16  
**SPLIT BLOCK—ONE FACE  
 KNOCK OUT LINTEL/BOND BEAM**