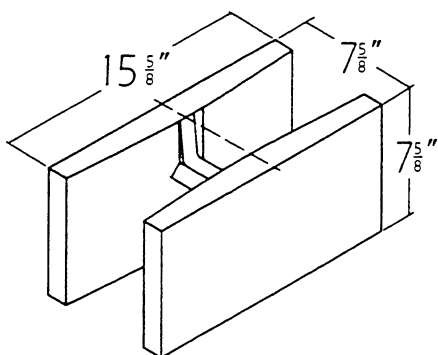
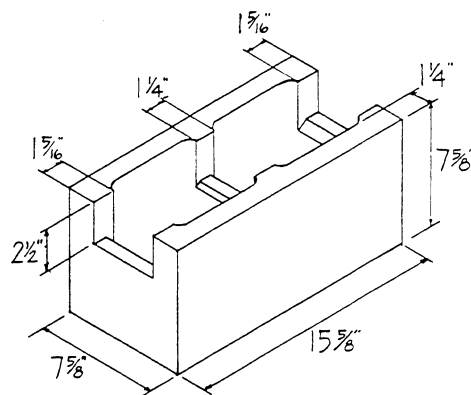


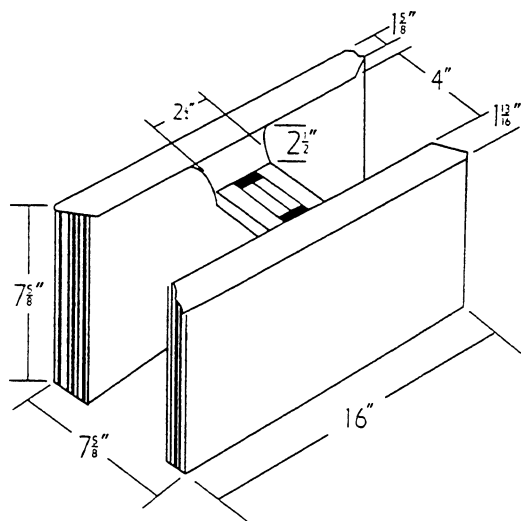
EIGHT INCH WIDTH



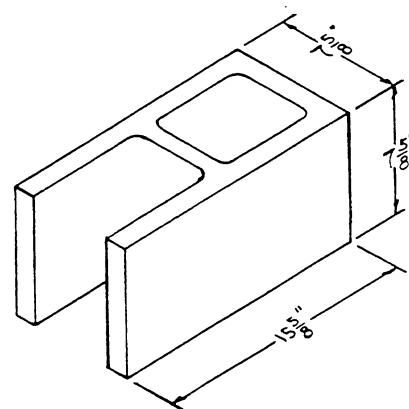
8 x 8 x 16
**DOUBLE OPEN END
BOND BEAM**



8 x 8 x 16
BOND BEAM
(ALSO AVAILABLE IN SOLID BOTTOM)



GROUT LOCK BLOCK



8 x 8 x 16
PLUMBERS BLOCK