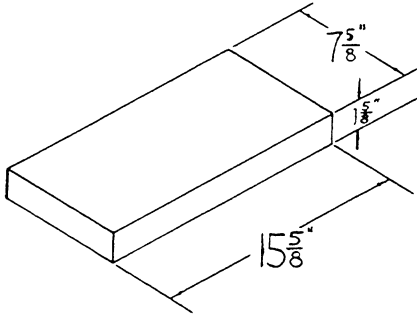
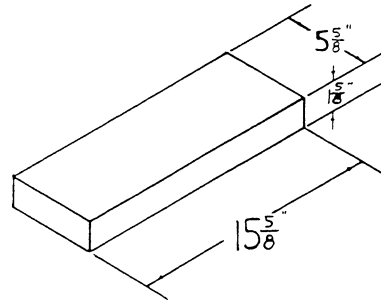


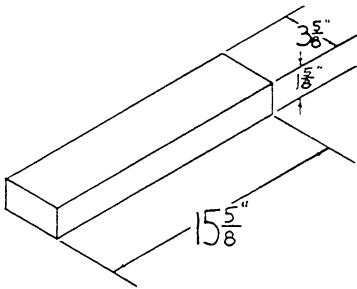
CAPS



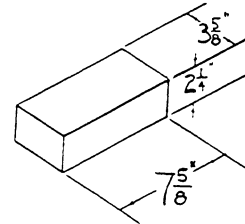
8x2x16
CAP



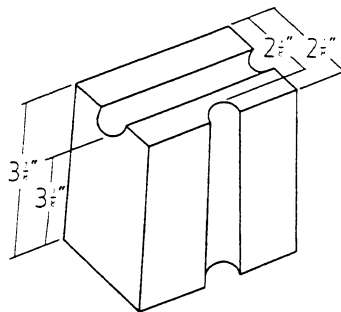
6x2x16
CAP



4x2x16
CAP



2x4x8
BRICK
(AVAILABLE IN BUFF, RED & BASALT)



2 1/2 x 3 x 3 1/2 x 4
REBAR DOBIE