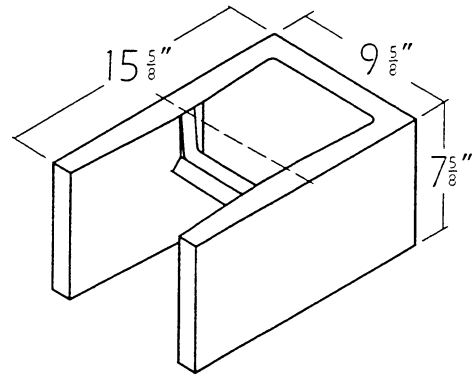
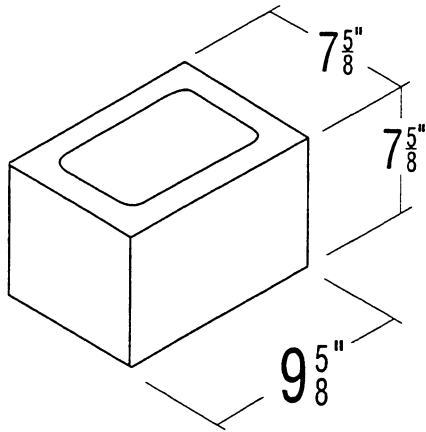


10 x 8 x 16
**DOUBLE OPEN END
BOND BEAM**



10 x 8 x 16
**SINGLE OPEN END
BOND BEAM**



10 x 8 x 8
HALF BLOCK