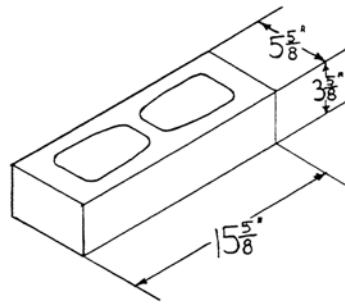
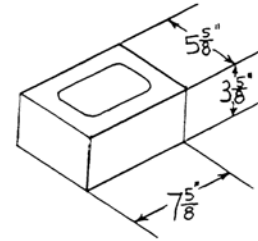


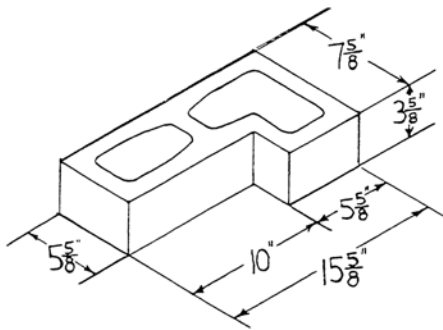
6 x 4 x 16
LINTEL/BOND BEAM



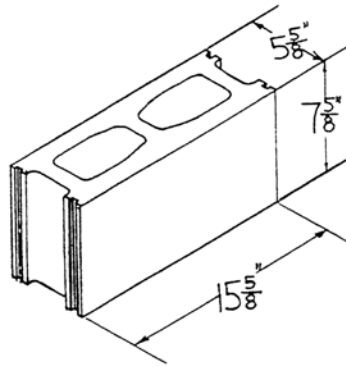
6 x 4 x 16
DOUBLE SOLID END



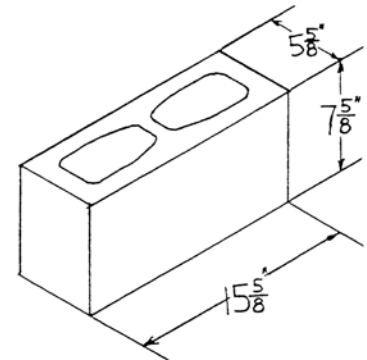
6 x 4 x 8
HALF BLOCK



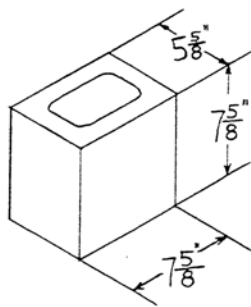
6 x 4 x 16
"L" RETURN BLOCK



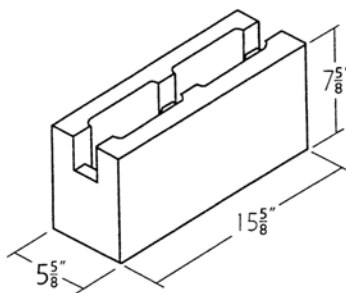
6 x 8 x 16
STANDARD



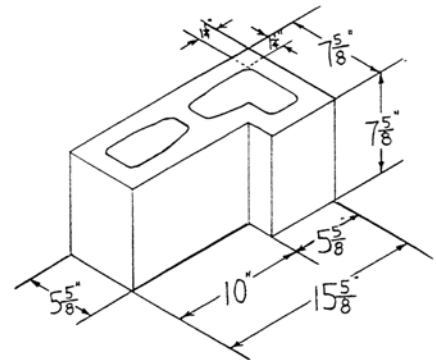
6 x 8 x 16
DOUBLE SOLID END



6 x 8 x 8
HALF BLOCK



6 x 8 x 16
BOND BEAM
(ALSO AVAILABLE IN SOLID BOTTOM)



6 x 8 x 16
"L" RETURN BLOCK