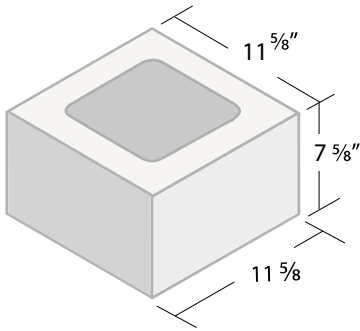
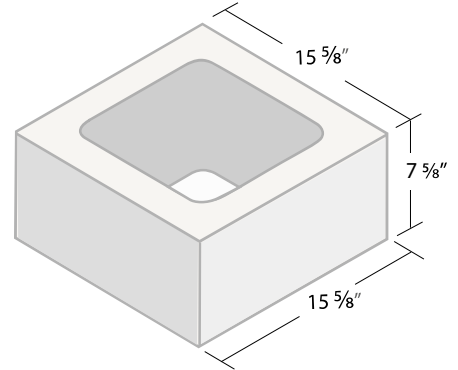


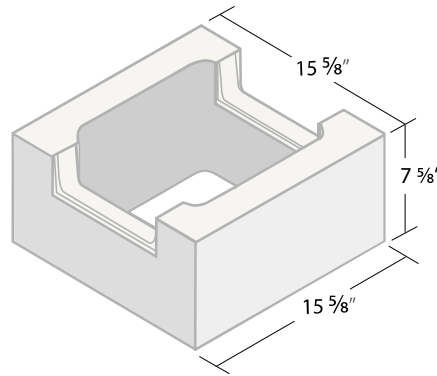
STANDARD UNITS: Column & Pilaster Concrete Masonry Units



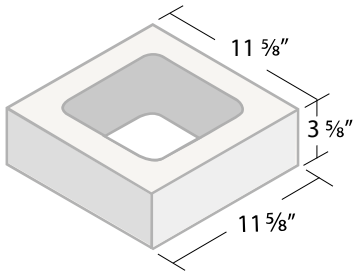
12 x 8 x 12 Column
ITEM #128C



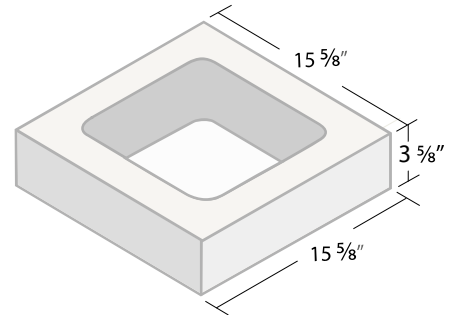
16 x 8 x 16 Column
ITEM #168C



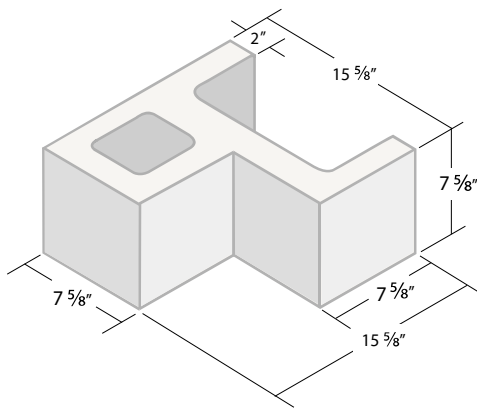
16 x 8 x 16 Bond Beam**
ITEM #168K



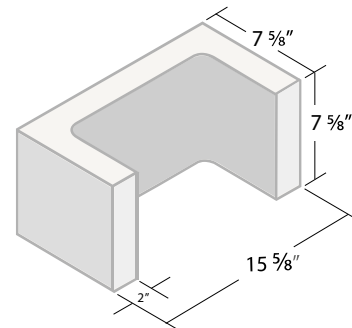
12 x 4 x 12 Column*
ITEM #124C



16 x 4 x 16 Column*
ITEM #164C



8" H Pilaster
ITEM #8HP



8" C Pilaster
ITEM #8CP

* May require lead time. Call for availability.

** Special Order. Lead time and additional charges may apply.